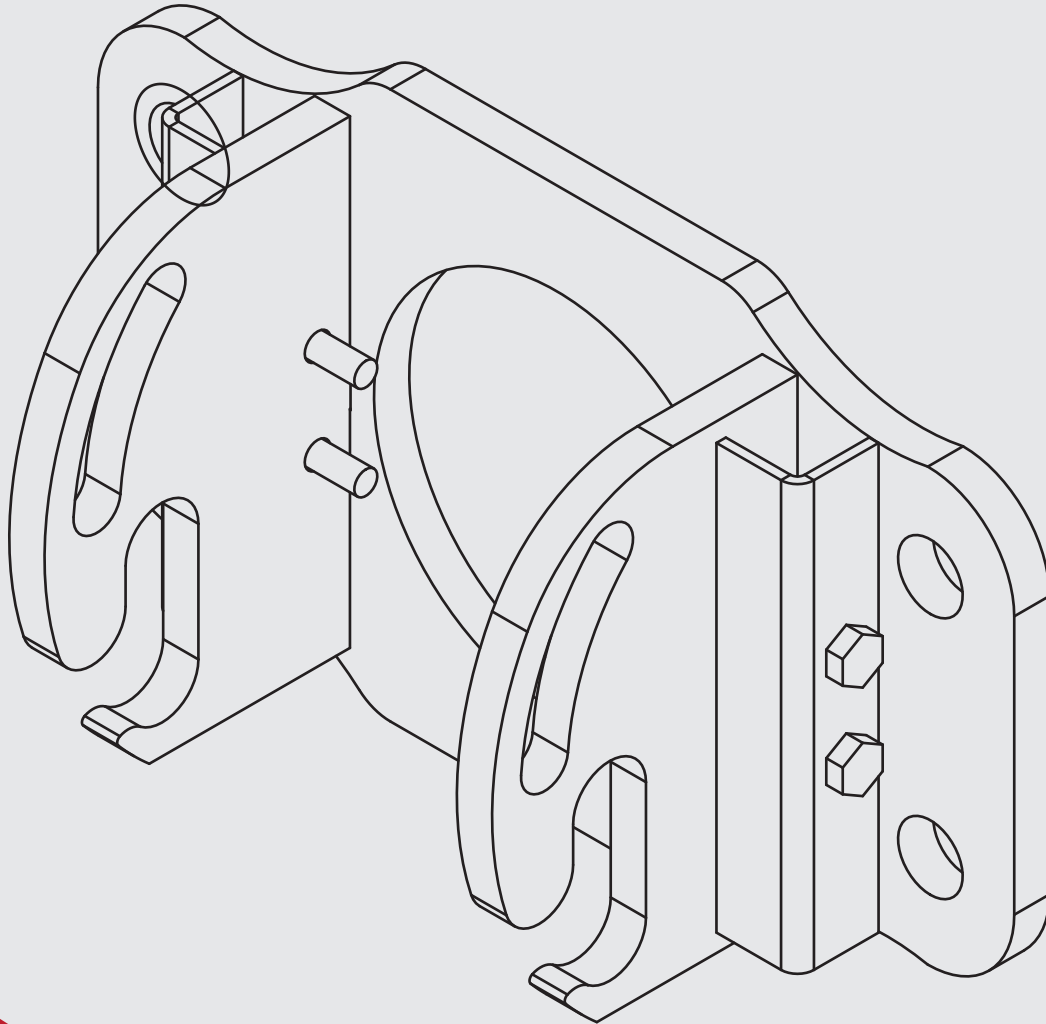


HUB LIFTER



The Hub Lifter tool allows safe lifting of low access vehicles after deflation of a tyre enabling wheel removal where conventional Jacking systems cannot a safe jacking point.

The Hub Lifter is CE compliant and conforms to L.O.L.E.R. Lifting Accessory regulations.

- The Hub Lifter's Unique design ensures the bottle jack remains vertical as the wheel/axle geometry changes.
- The 2-piece, slot together design is engineered in steel.
- Safe Working Load: 7.5 Tonnes
- Lifts and supports axles safely, allowing blocks or axle stands to be put in place.
- Eliminates damage to wheel, hub or suspension components.
- Tough, powder-coated paint finish.